







 TWO PEOPLE REQUIRED

Part	Qty	Name	Refer Picture	Part	Qty	Name	Refer Picture
A	4	6x40mm Screw		E	1	wrench	
B	8	4x10mm Screw		F	2	Plastic Mat	
C	1	Screwdriver		G	12	3x8mm Screw	
D	1	Spanner		H	Several	Spare Parts	

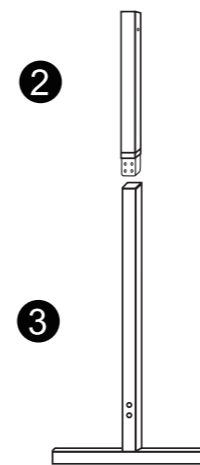
Note: The screws are pre-installed in both ends of the metal bars.

Tips for using the whiteboard

- Each whiteboard is covered with a plastic protective film that aims to protect the surface of the product. Please make sure that you have peeled it off before using.
- For the pens, it is recommended to use a water-based pen for all our whiteboards because of the special material of board (Please don't use oil-based pens).
- For the board surface, if the board looks dirty, please wipe it with a damp cloth or wet tissue, or you can use the whiteboard cleaner/lightly-dampened alcohol, so the board can be used just as new after drying.
- Before using, check the board surface if it's clean, no dirt, no water stains or no alcohol residue on it.

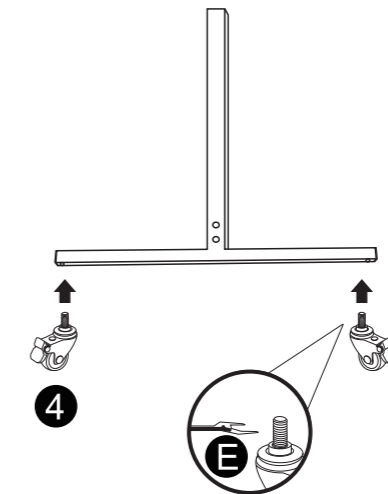
STEP 1

Insert Part ② into Part ③ with force. (a hammer is recommended for assistance) If no tool, upside down the tube and squeeze Part ② into Part ③ firmly.



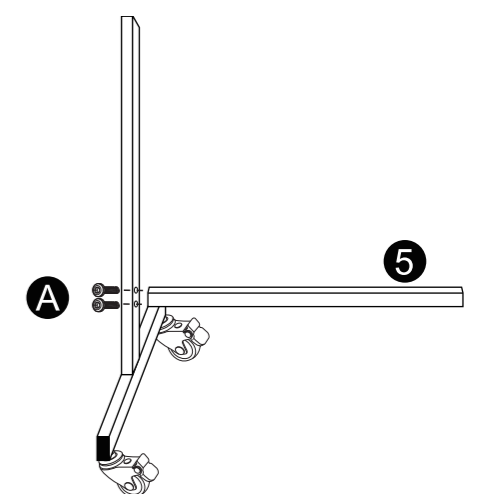
STEP 2

Screw Part ④ into Part ③. (Auxiliary Tools: Part E)



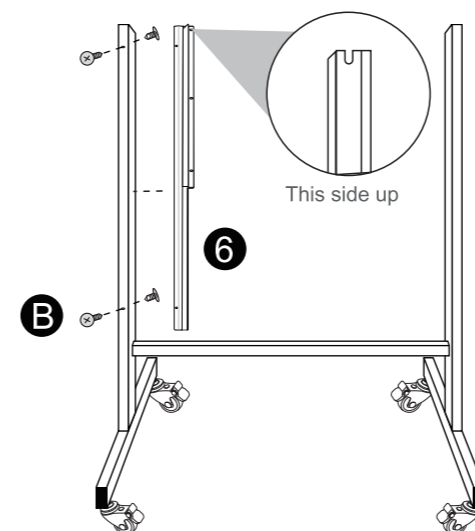
STEP 3

Use Part A install Part ⑤ to Part ③. (Auxiliary Tool: Part D)



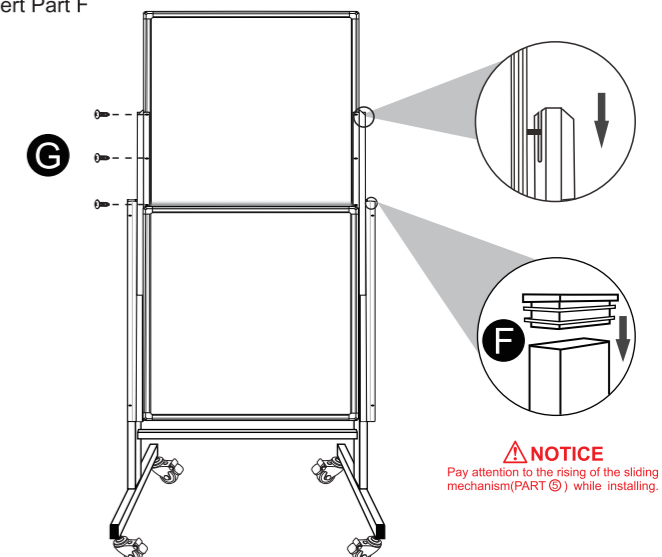
STEP 4

Attach Part ⑥ to inside of Part ③ and tighten them with Part B. The top of Part ⑥ with groove should be upside. (Auxiliary Tool: Part C)



STEP 5

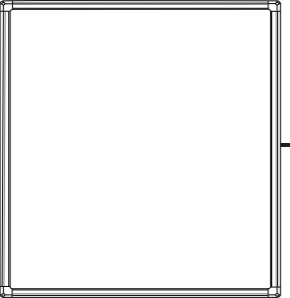
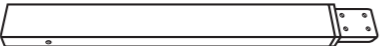
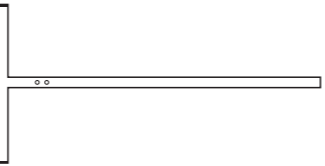
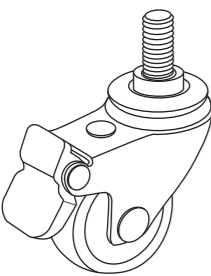


Put Part ① on the groove of Part ⑥. Align all screws holes on Part ① and Part ⑥ and tighten them with Part G. (Auxiliary Tool: Part C). Finally insert Part F



NOTICE
Pay attention to the rising of the sliding mechanism(PART ④) while installing.

Before Assembly

When you unpack and prepare for assembly, please place the contents on a carpeted or padded area to protect them from damage.

 x2	 x2	 x2
 x4	 Note: 8 of Part A (6x40mm screws) are pre-built in at ends of Part ④ x1	 x2



**Mobile Whiteboard
User Manual**