

TWO PEOPLE REQUIRED

Before Assembly

When you unpack and prepare for assembly, please place the contents on a carpeted or padded area to protect them from damage.

<p>1 NOTE: Please don't unfold the whiteboards excessively to prevent damage to the hinge.</p> <p>x1</p>	<p>2</p> <p>x2</p>	<p>3</p> <p>x2</p>
<p>4</p> <p>x1</p>	<p>5 *Note: 8 of Part A (6x40mm screws) are pre-built in at both ends of Part 4 5 and 6.</p> <p>x1</p>	<p>6</p> <p>x1</p>
<p>7</p> <p>x1</p>	<p>8</p> <p>x4</p>	

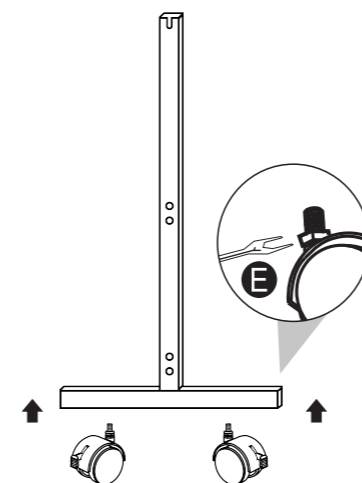
Part	Qty	Name	Refer Picture	Part	Qty	Name	Refer Picture
A	8	6x40mm Screw	 <small>The screws are pre-installed in both ends of the metal bars.</small>	F	2	Plastic Mat	
B	4	4x10mm Screw (Silver)		G	2	4x10mm Screw (Gold)	
C	1	Screwdriver		H	8	6x8mm Screw	
D	1	Spanner		I	2	Connecting Bar	
E	1	wrench		J	4	4.2x16mm screw	
				K	Several	Spare Parts	

Tips for using the whiteboard

- Each whiteboard is covered with a plastic protective film that aims to protect the surface of the product. Please make sure that you have peeled it off before using.
- For the pens, it is recommended to use a water-based pen for all our whiteboards because of the special material of board (Please don't use oil-based pens).
- For the board surface, if the board looks dirty, please wipe it with a damp cloth or wet tissue, or you can use the whiteboard cleaner/lightly-dampened alcohol, so the board can be used just as new after drying.
- Before using, check the board surface if it's clean, no dirt, no water stains or no alcohol residue on it.

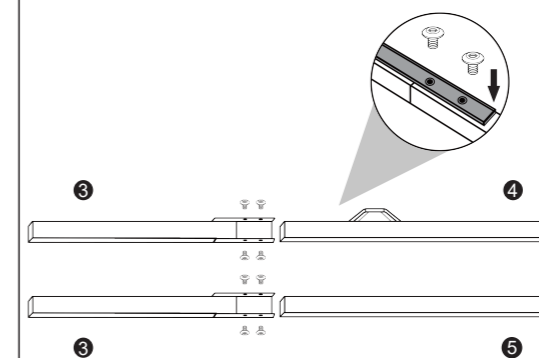
Step 1:

Screw Part 8 into Part 2. (Auxiliary Tool :Part E)



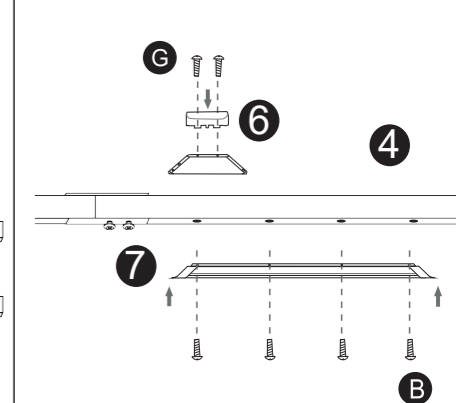
Step 2:

Connect 3 with 4 and tighten them with Part H. Connect 3 with 5 with the same operation. (Auxiliary Tool: Part D)



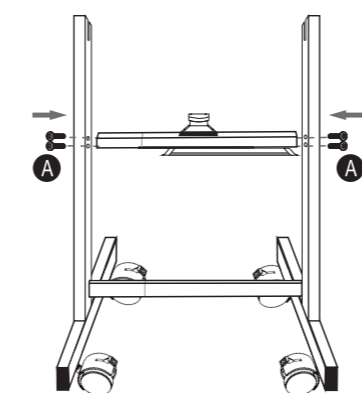
Step 3:

Use Part B install Part 7 to Part 4 first and then use Part G install Part 6 to Part 4. (Auxiliary Tool: Part C)



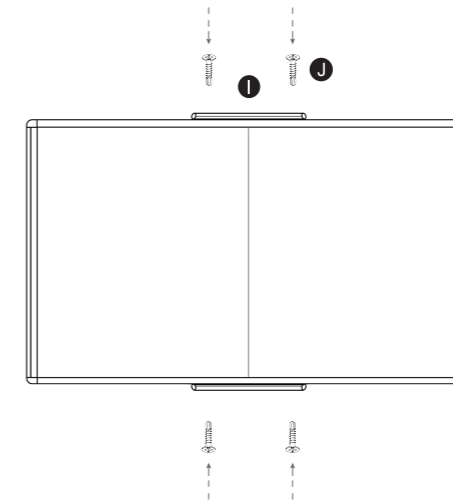
Step 4:

Use Part A install the metal bar to Part 3 (Auxiliary Tool: Part D)



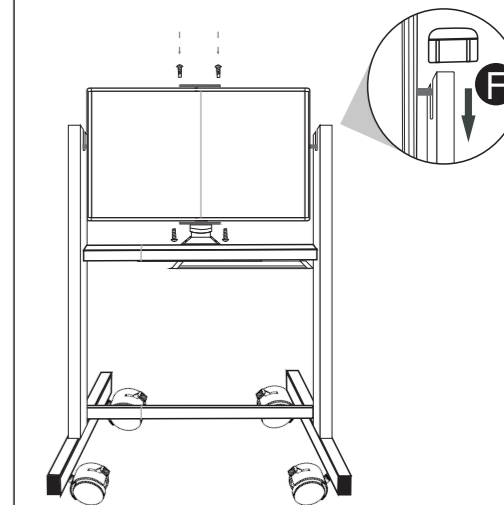
Step 5:

Unfold the whiteboard and fix the upper and lower frame with Part J and Part I. (Auxiliary Tool: Part C)



Step 6:

Put the whiteboard on the shelf and insert Part F



A blue oval with a light blue drop shadow, containing the text 'Mobile Whiteboard User Manual'.

**Mobile Whiteboard
User Manual**