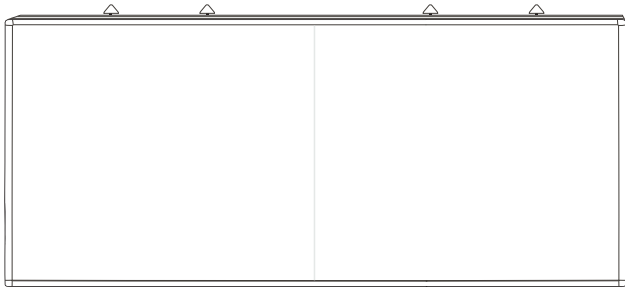


# Whiteboard Wall-Mounted Instruction

## Components



2xDry-Erase Board

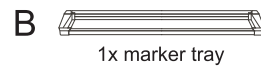
### BEFORE ASSEMBLY

When you unpack and prepare for assembly, please place the contents on a carpeted or padded area to protect them from damage.

### BOX CONTENTS

White Board & Fixing Parts

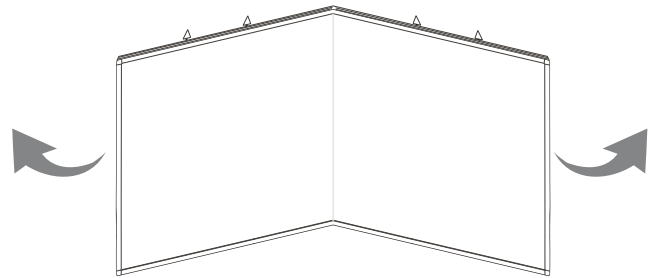
### Fixing Parts:



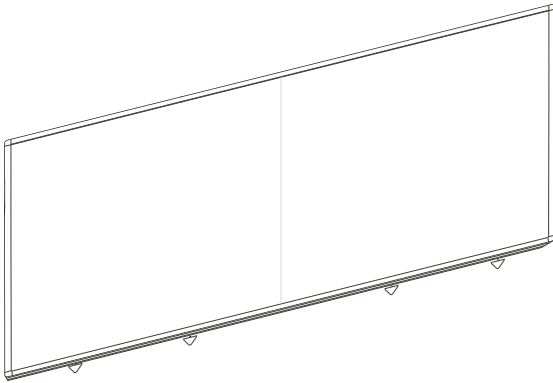
### Tools for Required (not included)



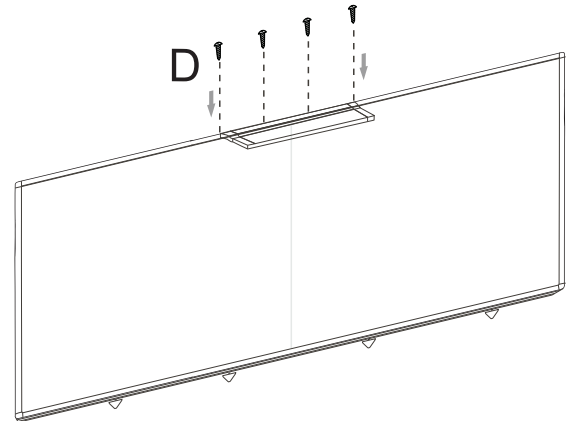
power drill (for pilot holes only)



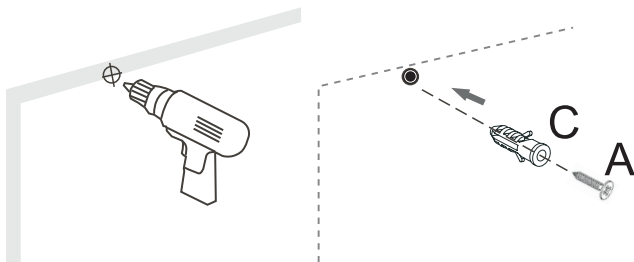
**Step 1:** Turn the whiteboard upside down. Then open the whiteboard and keep 2 boards at 180°horizontal.



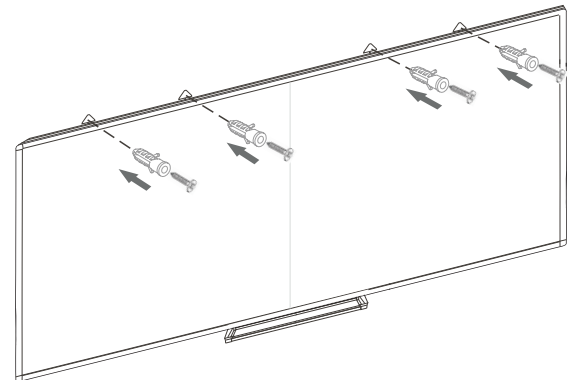
**Step 2:** Use Part D install marker tray on the middle side of the whiteboard. (Auxiliary Tool: Part E) Please tighten the screws to ensure that the marker tray is firmly installed.



**Step 3:** Drill 4 holes in the wall (the diameter of the hole should not exceed 6mm, the drilling distance based on the actual distance of hooks ) and insert Part C into the wall tightly. Then screw Part A (leave 3mm length outside the wall) into Part C.



**Step 4:** Hang the whiteboard on the wall.



## TIPS FOR USING THE WHITEBOARD

1. Please peel off the protective film from the writing surface before use. For your convenience, we've already cut a long the board frame. You just need to use your thumb or a knife to tear the film a little bit form the board corner and then take off the film step by step.
2. Please use good quality whiteboard markers(water-based). Oil-based markers and permanent markers are forbidden.
3. Clean surface with a dry or damp soft cloth. Do not use abrasive cleaners. Whiteboard cleaner would be more helpful to wipe off.