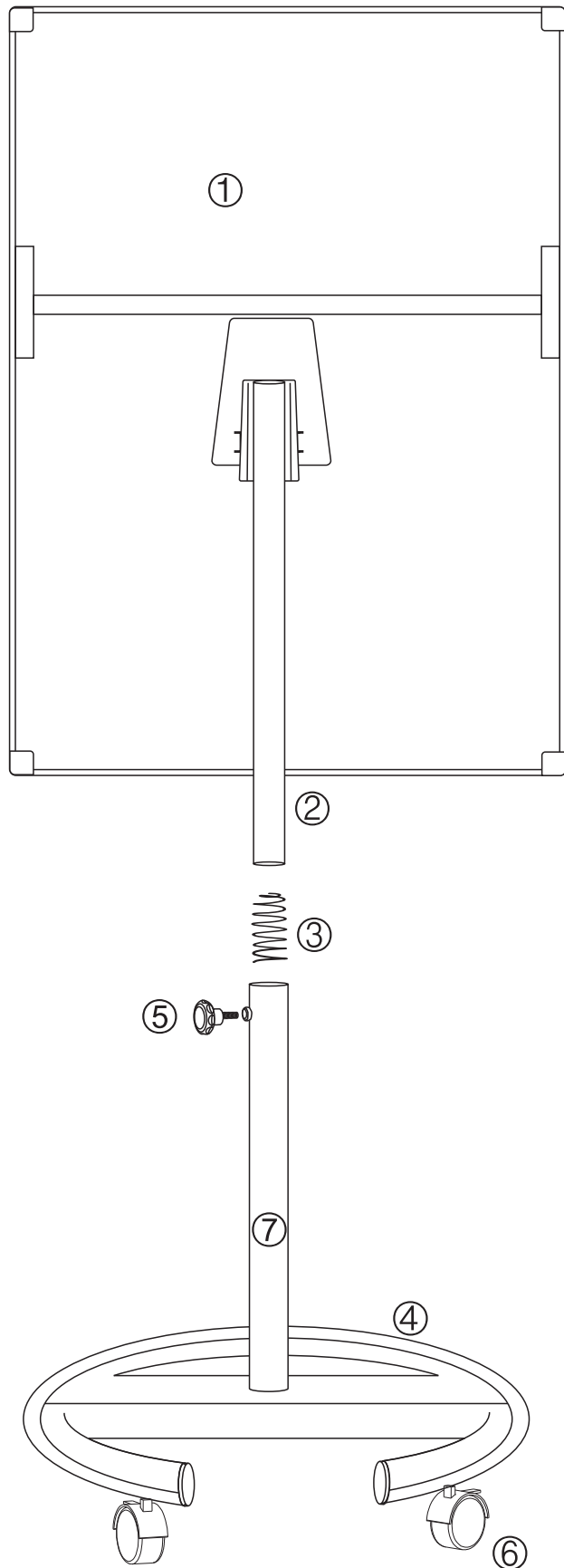
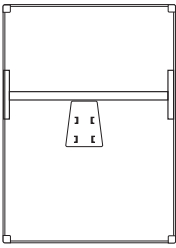


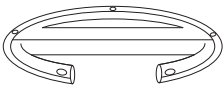
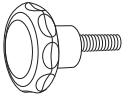








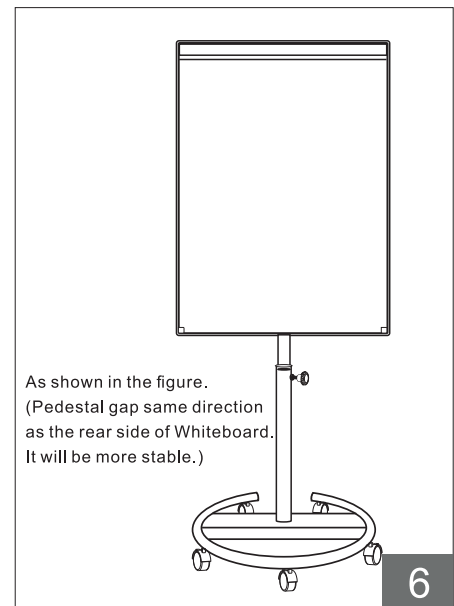
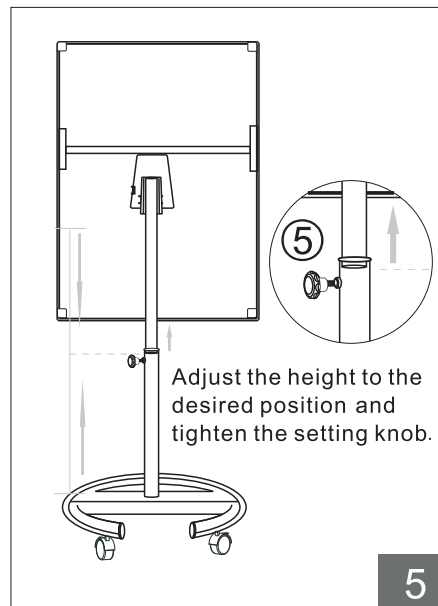
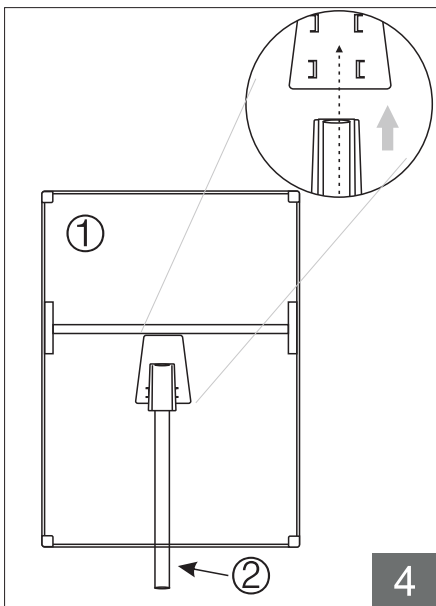
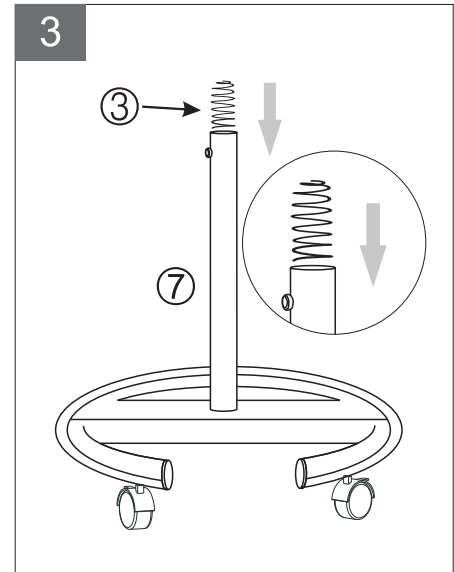
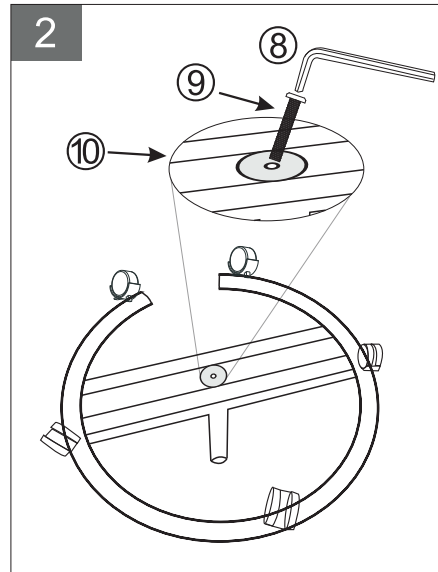
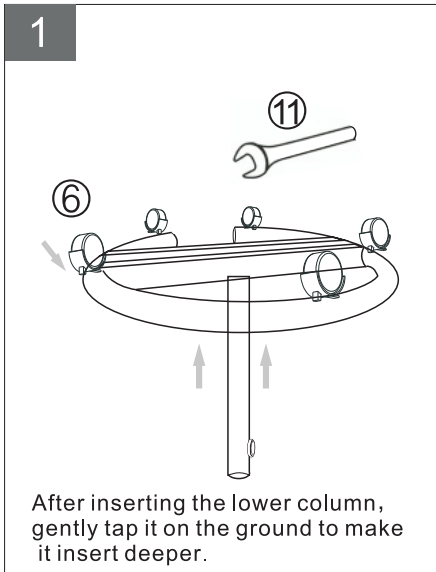
PARTS LIST



Description		QTY
①	 Whiteboard	1
②	 Upper column	1
③	 Spring	1
④	 Pedestal	1
⑤	 Setting knob	1
⑥	 Castor	5
⑦	 Lower column	1
⑧	 Spanner	1
⑨	 Screw Note: The screw has been pre-installed in the lower column.	1
⑩	 Washer	1
⑪	 Wrench	1

BEFORE ASSEMBLY

When you unpack and prepare for assembly, please place the contents on a carpeted or padded area to protect them from damage



TIPS FOR USING THE WHITEBOARD

1. Each whiteboard is covered with a plastic protective film that aims to protect the surface of the product. Please make sure that you have peeled it off before using.
2. For the pens, it is recommended to use a water-based pen for all our whiteboards because of the special material of board (Please don't use oil-based pens).
3. For the board surface, if the board looks dirty, please wipe it with a damp cloth or wet tissue, or you can use the whiteboard cleaner/lightly-dampened alcohol, so the board can be used just as new after drying.
4. Before moving the whiteboard, please make sure that all the casters' buckles are unlocked.