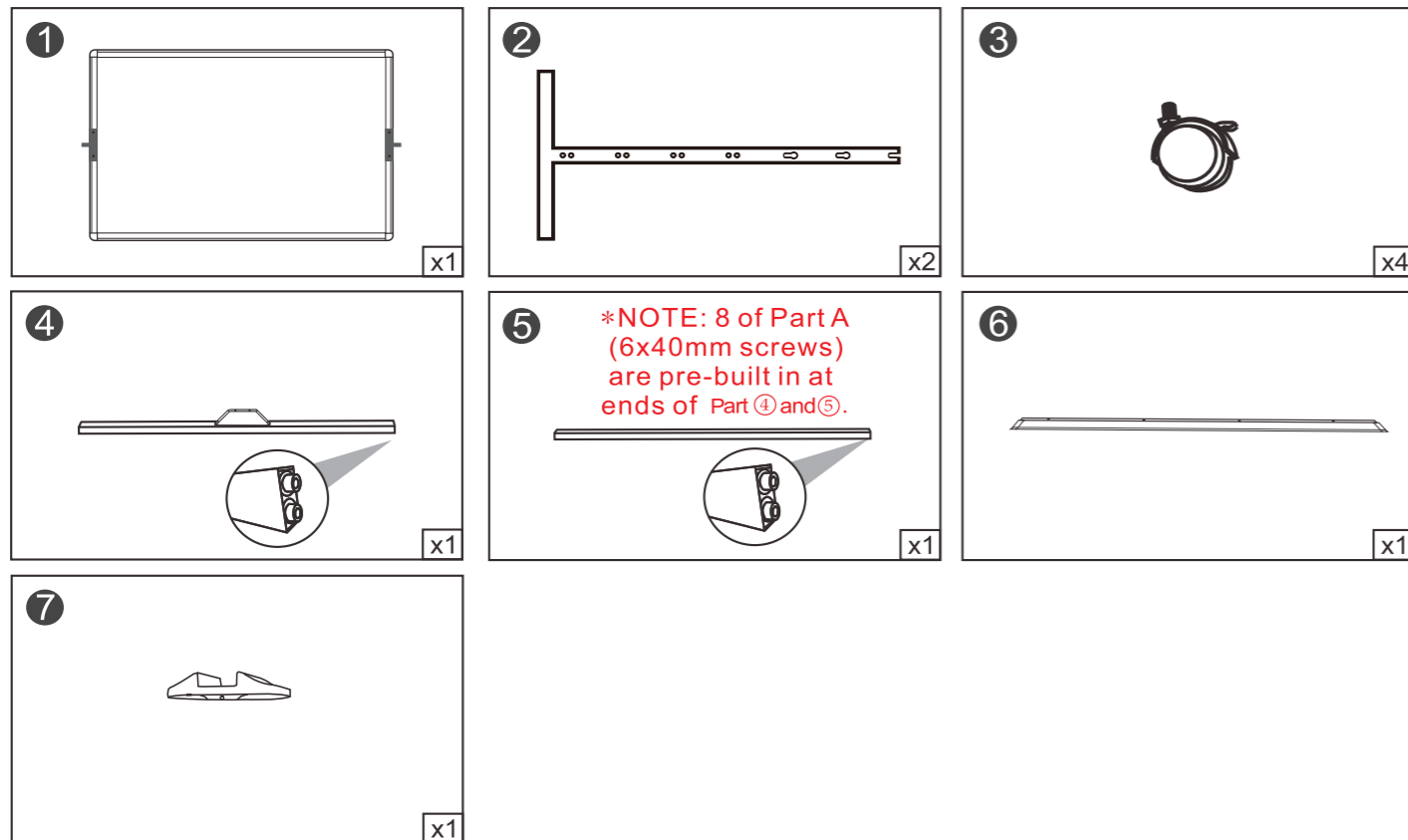




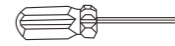






Before Assembly

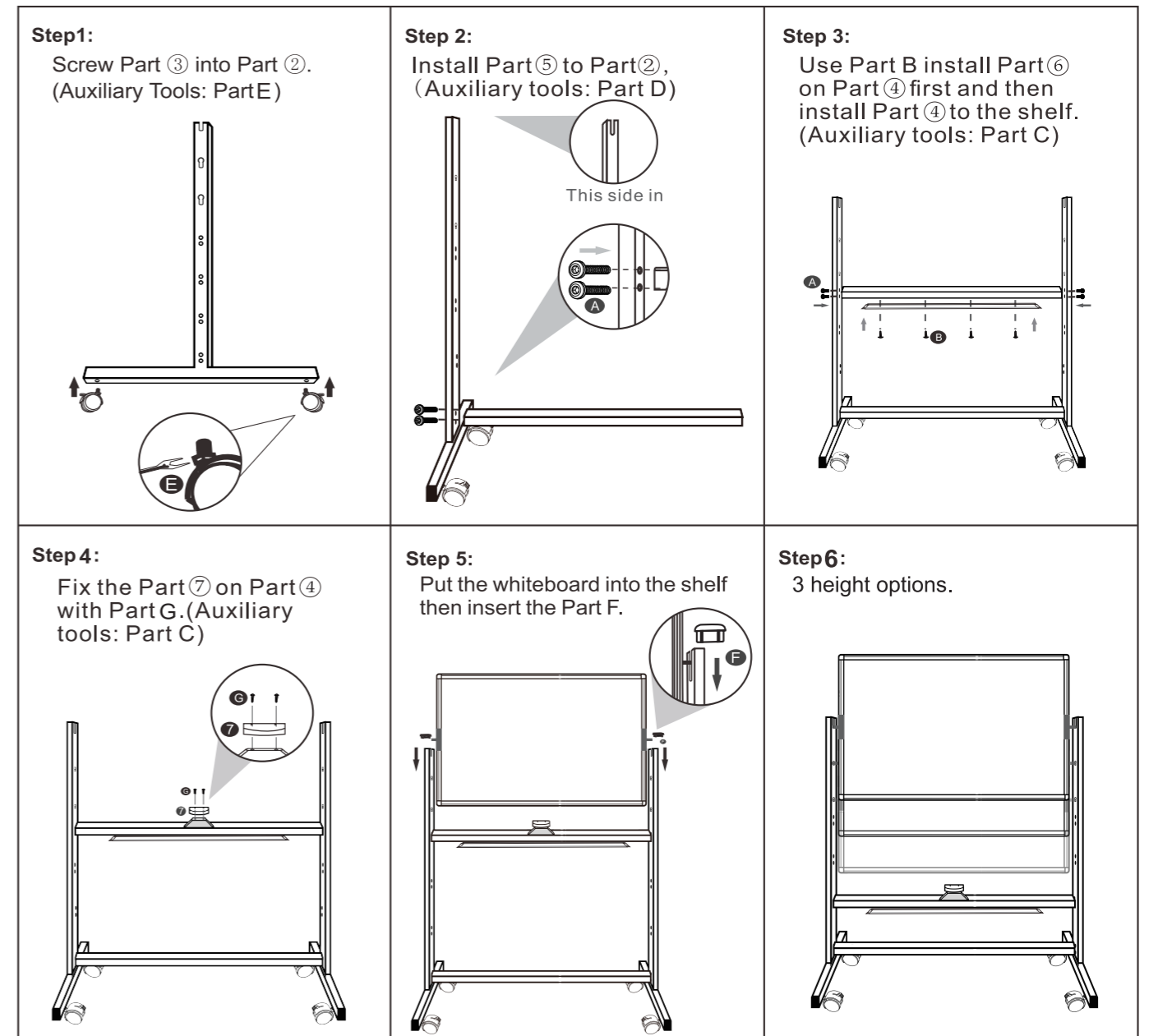
When you unpack and prepare for assembly, please place the contents on a carpeted or padded area to protect them from damage



Part	Qty	Name	Refer Picture	Part	Qty	Name	Refer Picture
A	8	6x40mm Screw	 Note: The screws are pre-installed in both ends of the metal bars.	E	1	wrench	
B	4	4x10mm Screw (Big head)		F	2	Plastic Mat	
C	1	Screwdriver		G	2	4x10mm Screw (Small head)	
D	1	Spanner		H	Several	Spare Parts	 

Tips for using the whiteboard

- Each whiteboard is covered with a plastic protective film that aims to protect the surface of the product. Please make sure that you have peeled it off before using.
- For the pens, it is recommended to use a water-based pen for all our whiteboards because of the special material of board (Please don't use oil-based pens).
- For the board surface, if the board looks dirty, please wipe it with a damp cloth or wet tissue, or you can use the whiteboard cleaner/lightly-dampened alcohol, so the board can be used just as new after drying.
- Before using, check the board surface if it's clean, no dirt, no water stains or no alcohol residue on it.



A blue oval graphic with a white border, containing the text 'Mobile Whiteboard User Manual'.

**Mobile Whiteboard
User Manual**