

Glass Board Wall-Mounted Instruction

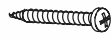
Fixing Parts:



A x4
6MM X 30MM



B x4



C x4
6MM X 35MM



D x4



WARNING:



Two people are required to build this glass board
Be careful when you build it



Note: Due to the special material of the glass whiteboard, it is thicker than ordinary whiteboards. You are suggested to use neodymium magnets (The attached eraser cannot be attached to the glass whiteboard).

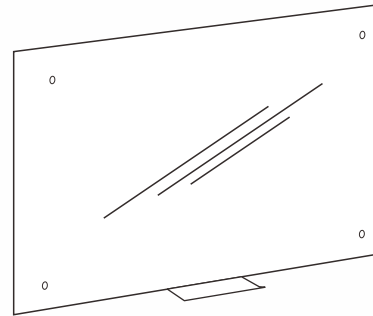
Before assembly:

1. Please pay attention to the depth and length of the hole, depth: 30mm, diameter: 6mm (6mm electric drill is recommended).
2. In order to ensure stability, please note that the coating on the wall should not be too thick. It is recommended to be installed in a solid wall or wooden wall.



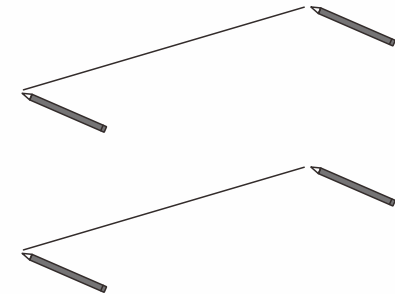
Step 1:

Paste the marker tray on the the glass board before wall mounting.



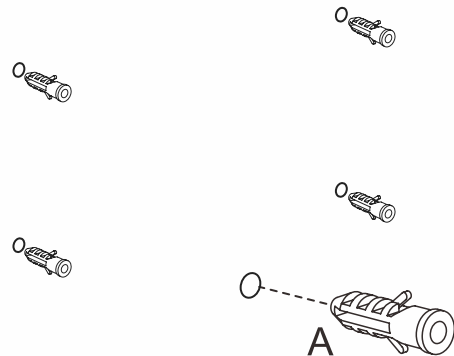
Step 2:

Position the height and snap two horizontal chalk lines, drill four holes in the wall (The diameter of the hole should not exceed 6mm, the depth of the hole: 30mm).



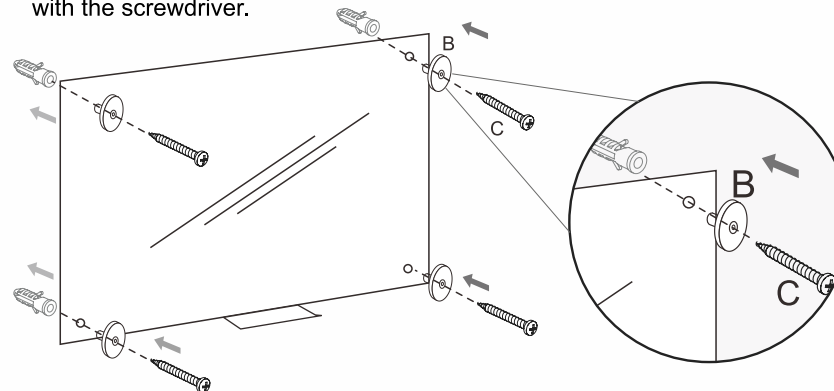
Step 3:

Step 2: Insert Part A into the wall and make sure that it is tightly embedded in the wall.



Step 4:

Carefully lift the glass board and place Part B into the hole of the glass board, put Part C through Part B and then screw Part C into Part A tightly with the screwdriver.



Step 5:

Cover Part B with Part D and squeeze it.

